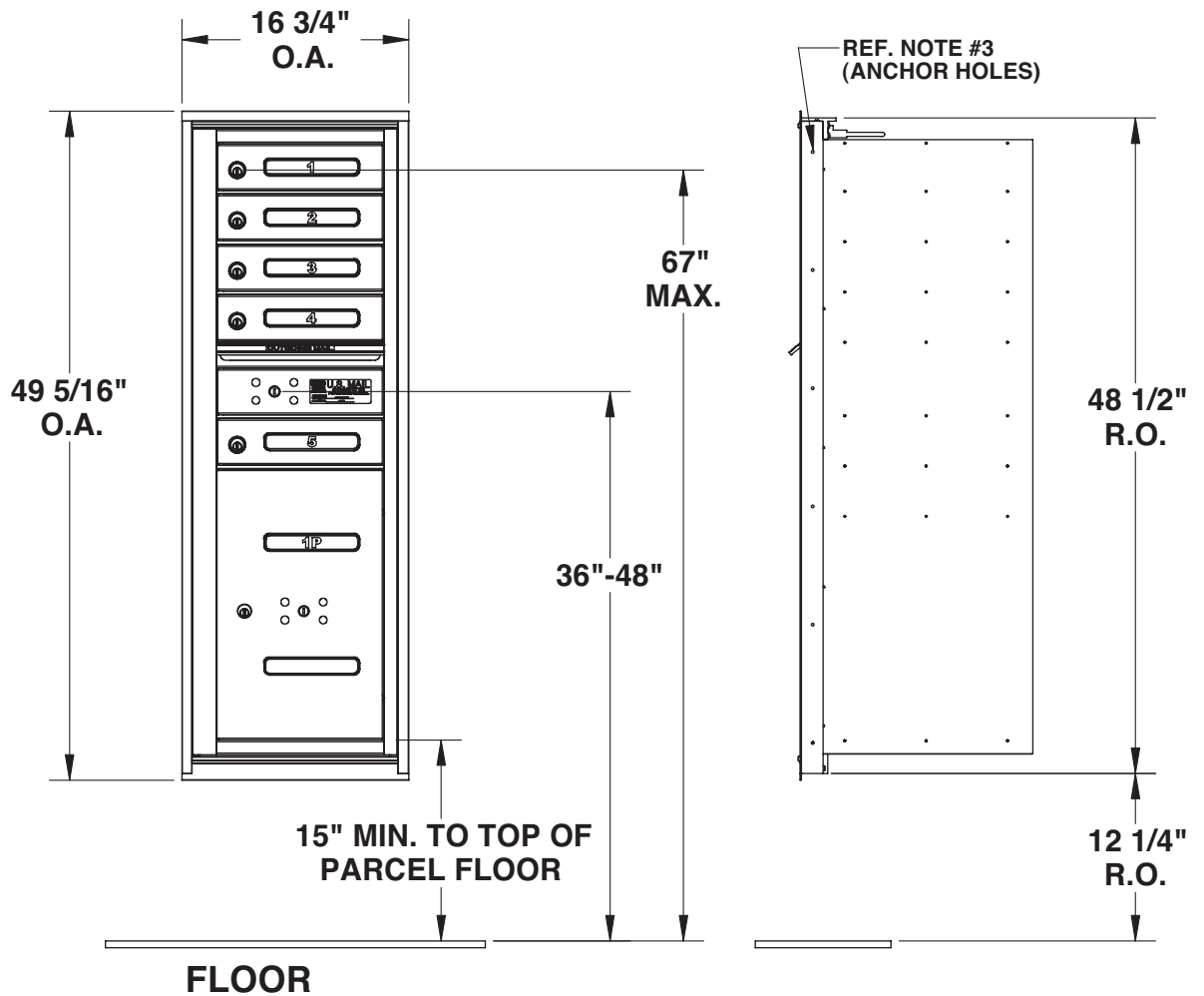
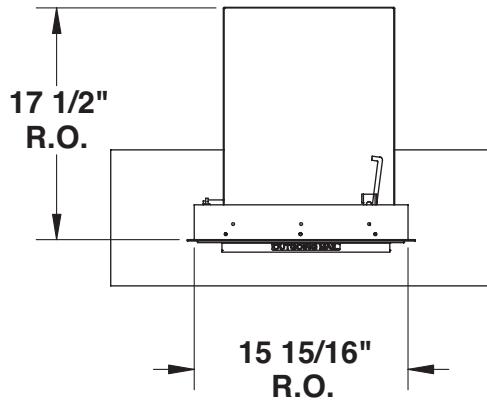


4105-B

INSTALLATION INSTRUCTIONS:

1. PLACE UNIT INTO ROUGH OPENING, SHIMMING WHERE NEEDED TO MAINTAIN FRAME ALIGNMENT.
2. OPEN GATES WHILE HOLDING UNIT IN PLACE SO THAT IT DOES NOT FALL FORWARD.
3. INSERT #10 ANCHOR FASTENER (#10 x 2" S/S FLATHEAD WOOD SCREWS RECOMMENDED FOR WOOD FRAMING) INTO HOLES PROVIDED FOR MOUNTING. (18 HOLES ARE PROVIDED FOR FASTENING.) MAKE SURE UNIT IS KEPT SQUARE AND TRUE WHILE INSERTING THE BALANCE OF FASTENERS.
4. KEYS ARE TAGGED IN ORDER AS SEEN ON FRONT VIEW STARTING AT #1 THROUGH #5, THESE NUMBERS WILL CORRELATE POSITIONS WITH CUSTOM #'S. KEYS ARE THEN BAGGED AND PLACED IN UNIT.



PART #4105-B
DWG DATE 04/29/08